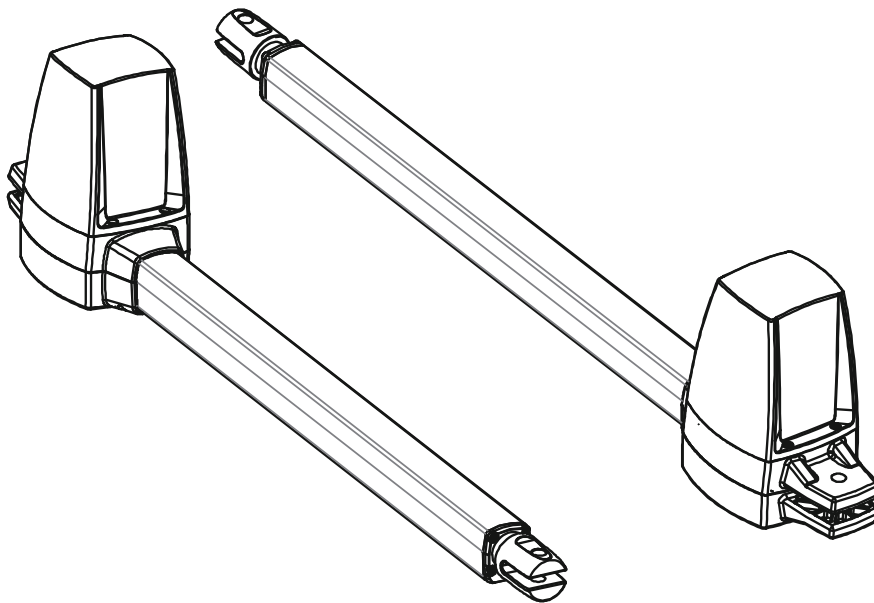


# A4

## SWING GATE OPENERS

### 24V DC GEAR MOTOR

FOR RESIDENTIAL  
**USER MANUAL**



# INDEX

<b>1.1</b>	<b>GENERAL PRECAUTION</b>	<b>1</b>
<b>1.2</b>	<b>INSTALLATION</b>	<b>1</b>
	<b>A. STANDARD INSTALLATION</b>	<b>1</b>
	<b>B. DIMENSION CHART</b>	<b>2</b>
	<b>C. COMPONENTS OF INSTALLATION</b>	<b>3</b>
	<b>D. INSTALLATION OF ARTICULATED ARM OPENER</b>	<b>3</b>
	<b>E. WIRE CONNECTION</b>	<b>4</b>
<b>1.3</b>	<b>TECHNICAL FEATURES</b>	<b>4</b>
	<b>A. DIMENSION</b>	<b>4</b>
	<b>B. TECHNICAL FEATURE:</b>	<b>4</b>
<b>1.4</b>	<b>MAINTENANCE</b>	<b>5</b>

## 1.1 GENERAL SAFETY PRECAUTION



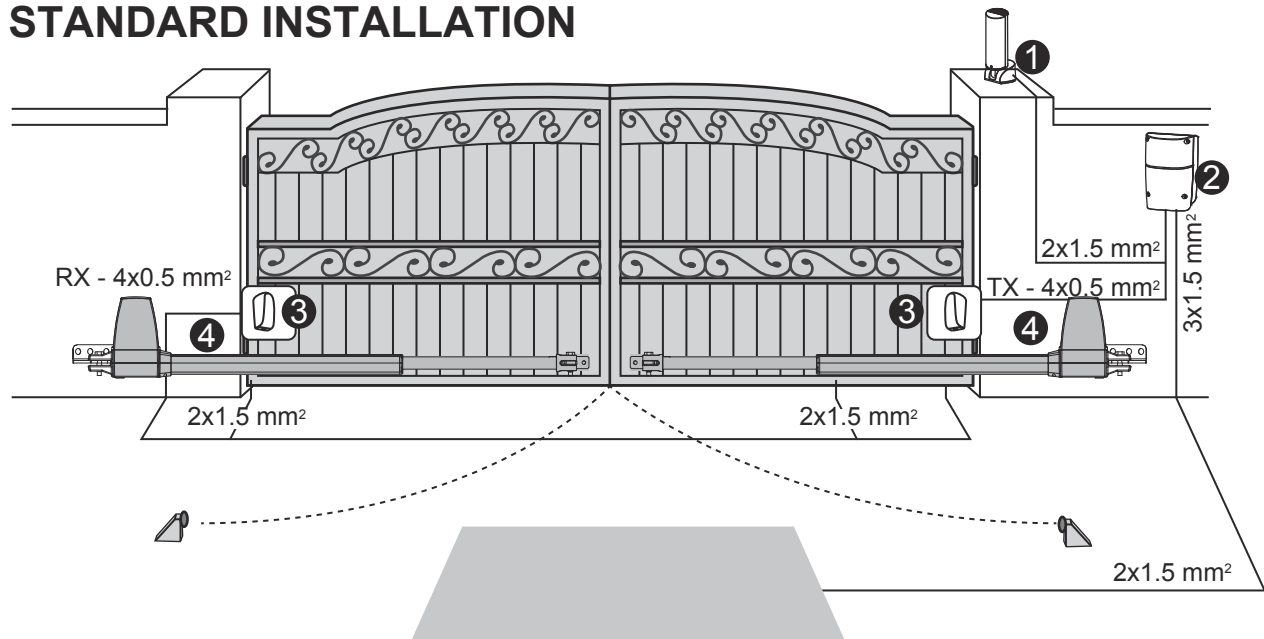
### WARNING :

**This user manual is only for qualified technicians who is specialized in installations and automations.**

- (1) All installations, electrical connections, adjustments and testing must be performed only after reading and understanding of all instructions carefully.
  - (2) Before carrying out any installation or maintenance operation, disconnect the electrical power supply by turning off the magneto thermic switch connected upstream and apply the hazard area notice required by applicable regulations
  - (3) Make sure the existing structure is up to standard in terms of strength and stability
  - (4) When necessary, connect the motorized gate to reliable earth system during electricity connection phase.
  - (5) Installation requires qualified personnel with mechanical and electrical skills.
  - (6) Keep the automatic controls (remote, push bottom, key selectors...etc) being placed properly and away from children.
  - (7) For replace or repair of the motorized system, only original parts must be applied. Any damage caused by inadequate parts and methods will not be claimed to motor manufacturer.
  - (8) Never operate the drive if you have any suspect with what it might be faulty or damage to the system.
  - (9) The motors are exclusively designed for the gate opening and closing application, any other usage is deemed inappropriate. The manufacture should not be liable for any damage resulting from the improper use. Improper usage should void all warranty, and the user accepts sole responsibility for any risks thereby may accrue.
  - (10) The system may only be operated in proper working order. Always follow the standard procedures by following the instructions in this installation and operating manual.
  - (11) Only command the remote when you have a full view of the gate.
- Please keep this installation manual for future reference.

## 1.2 INSTALLATION

### A STANDARD INSTALLATION



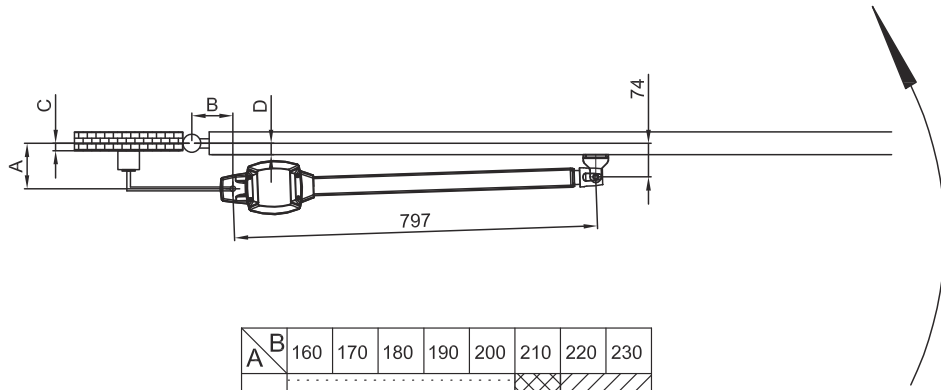
1. 24V DC blinker with antenna
2. Control Box
3. Photo Sensor
4. 24V DC gate opener
5. Transmitter

## B DIMENSION CHART

Comply with the measures shown on the chart for proper installation. Adjust the gate structure to fit it for best automation, if necessary.

Before preceding the installation, be sure that gate moves freely and that:

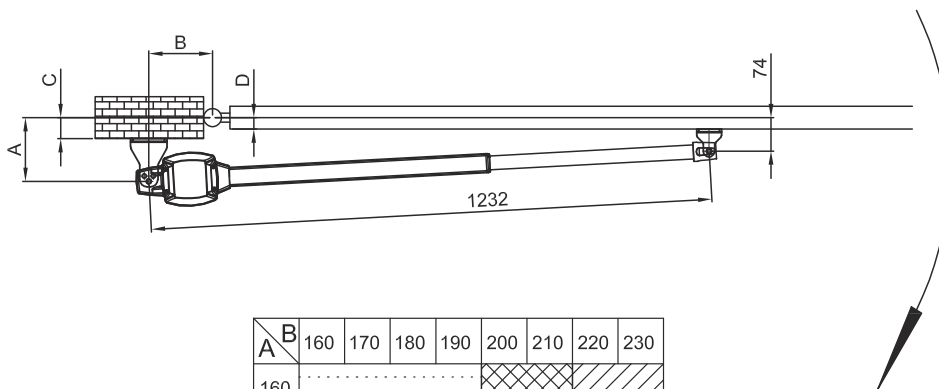
- 1) Hinges are properly positioned and greased.
- 2) No obstacles in the moving area.
- 3) No frictions between two gate leafs or with the ground while moving



A \ B	160	170	180	190	200	210	220	230
160								
170								
180								
190								
200								
210								
220								
230								

Angle ranges for the 797mm arm:

- >120° (dotted area)
- 110° - 120° (diagonal lines)
- 100° - 110° (diagonal lines)
- 90° - 100° (diagonal lines)
- <90° (diagonal lines)



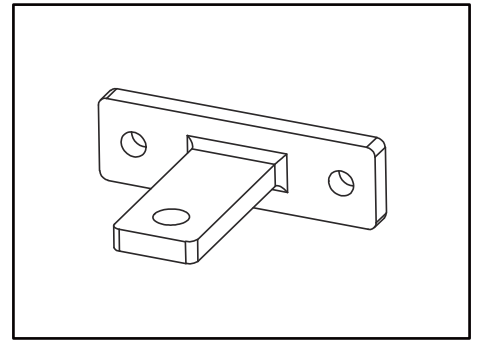
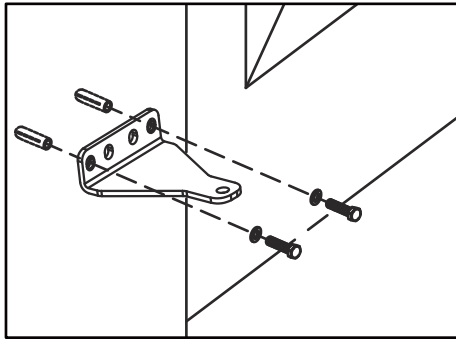
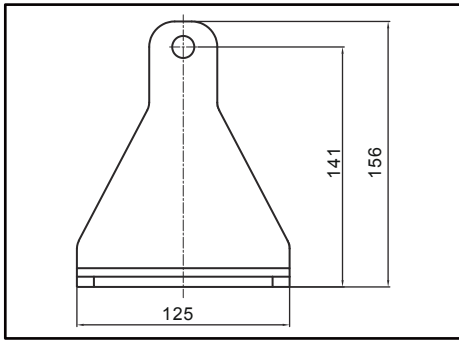
A \ B	160	170	180	190	200	210	220	230
160								
170								
180								
190								
200								
210								
220								
230								

Angle ranges for the 1232mm arm:

- >120° (dotted area)
- 110° - 120° (diagonal lines)
- 100° - 110° (diagonal lines)
- 90° - 100° (diagonal lines)
- <90° (diagonal lines)

## C MOTOR FIXING

Assemble the rear bracket and fix it on the pillar.

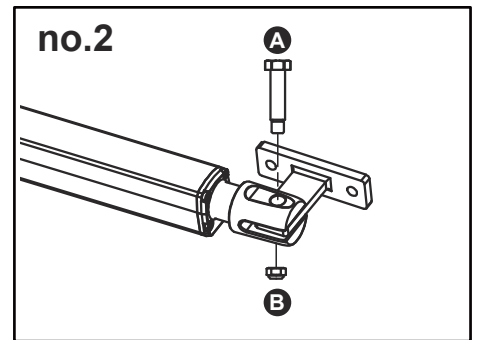
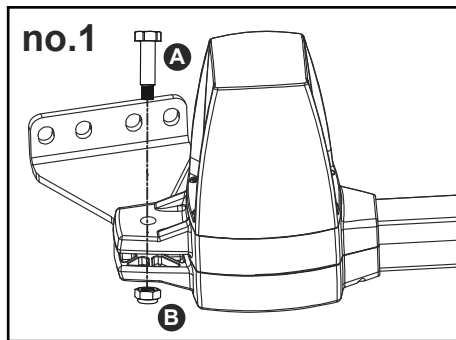
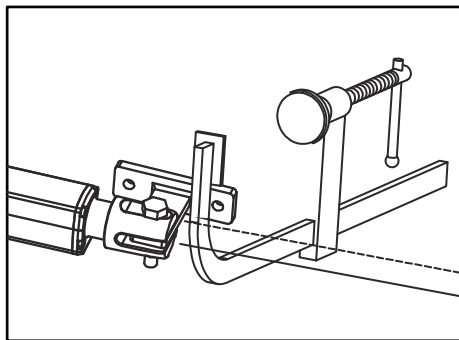


Release the gate opener and place the pin into the fitting position no.1 and no. 2

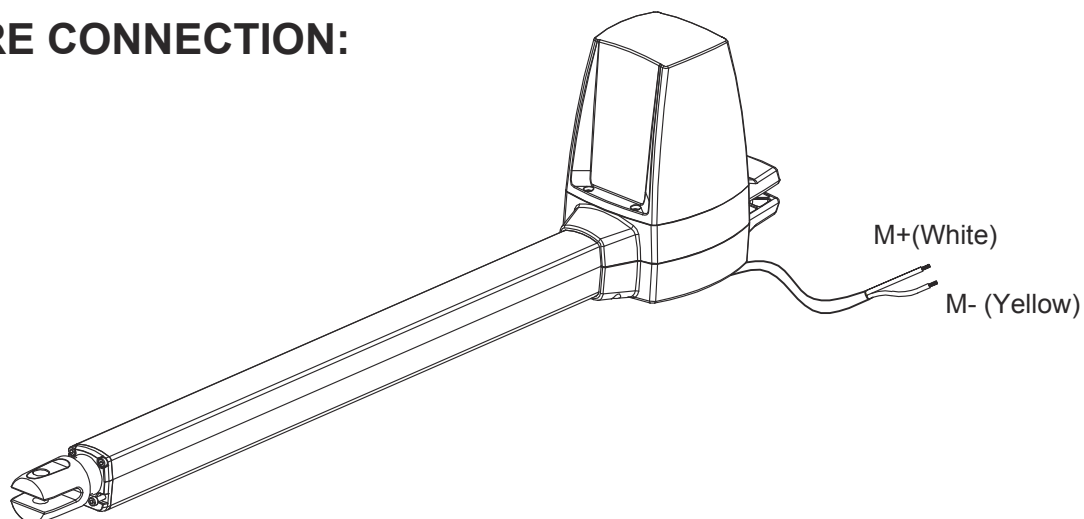
Make sure the gate openers are mounted in horizontal position especially in those positions.

- 1) Gate in "CLOSE" position
- 2) Gate in "OPEN" position
- 3) Gate at "45 ° angle" position

Prior to weld the bracket on the gate leaf(if necessary), cover the gate opener to prevent damages from sparks.



## D WIRE CONNECTION:



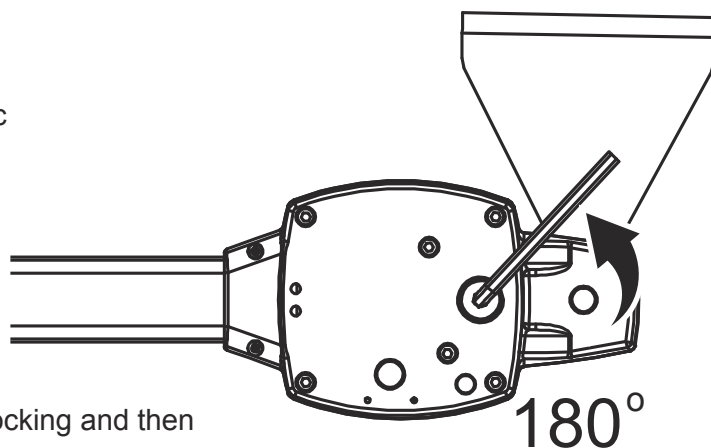
Note: Avoid tension in the cable during open and close phase.

## **E** EMERGENCY RELEASE

In case of power failure or to program your automatic gate, you can manually unlock the engines:

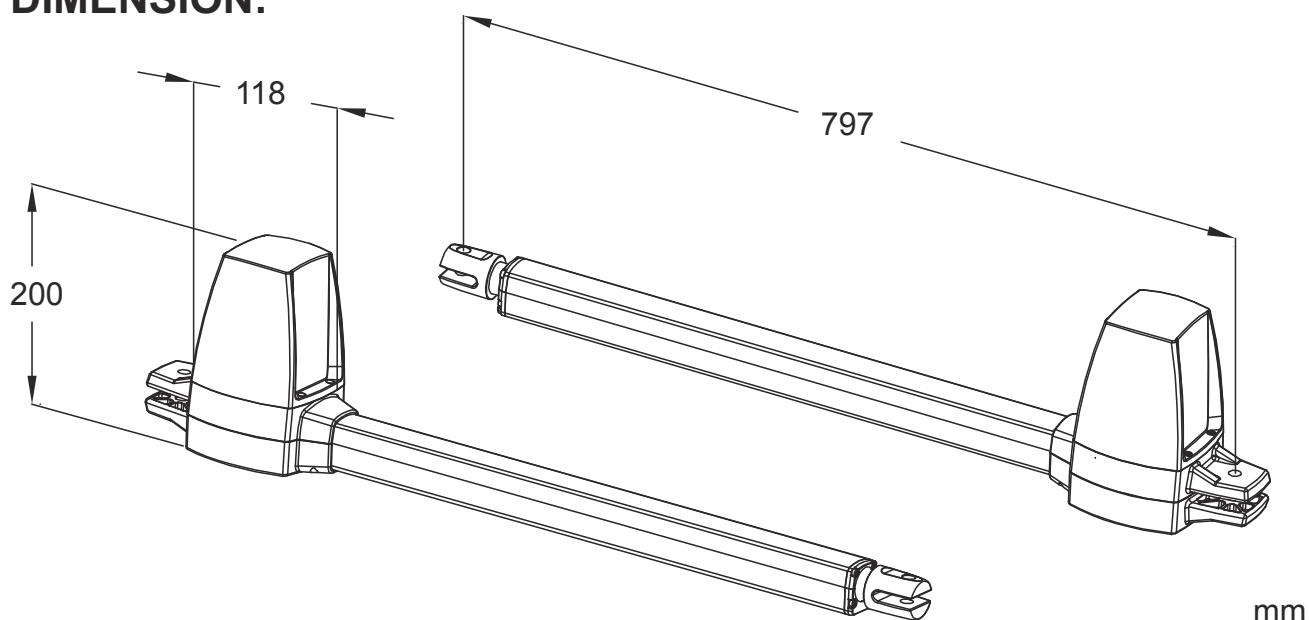
Stand in the inner side of the gate. Insert the hex wrench for unlocking and then turn anti-clockwise 180 degrees. You can now open the gate by hand.

To lock again the engine, insert the hex wrench for locking and then turn clockwise 180 degrees.



## 1.3 TECHNICAL FEATURES :

### **A** DIMENSION:



### **B** TECHNICAL FEATURE:

Model	A4
Gear type	Worm gear
Stroke	435mm
Power supply	24VDC
Maximum gate weight	350KG
Maximum gate length	4meter
Duty cycle	20%
Operating Temperature	-20°C~+50°C
Dimension	797mm*118mm*200mm

## 1.4 MAINTENANCE:

Conduct the following operations at least every 6 months. If in high intensity of use, shorten the period in between.

### **Disconnect the power supply:**

- (1) Clean and lubricate the screws, the pins, and the hinge with grease.
- (2) Check the fastening points are properly tightened.
- (3) Make the wire connection are in good condition.

### **Connect the power supply:**

- (1) Check the power adjustments.
- (2) Check the function of the manual release.
- (3) Check the function of photocells or other safety devise.

